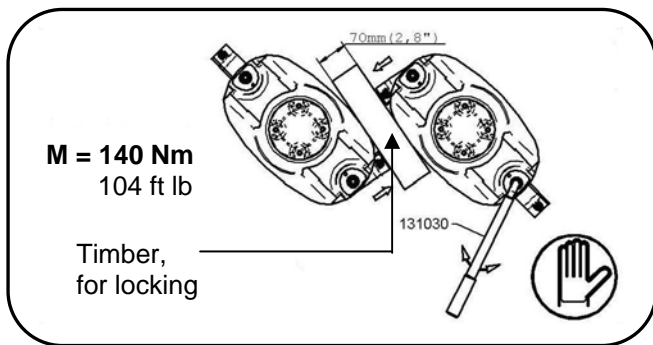
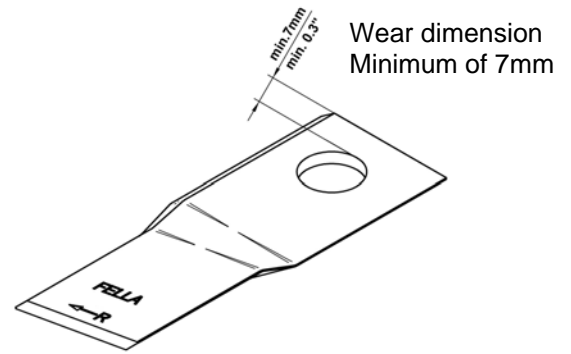
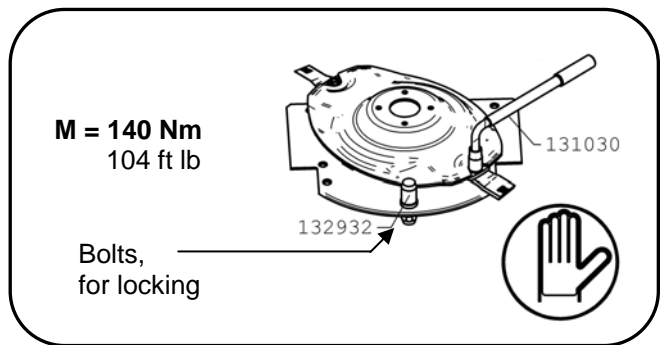


## Cutter blades, general



SM 168 / 208 / 248 / 288

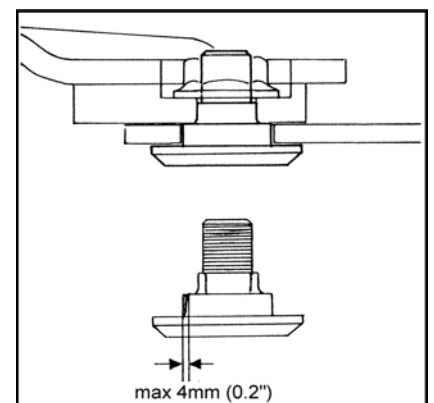


all SM types (except SM 168/208/248/288)

## Cutter blade – bolt

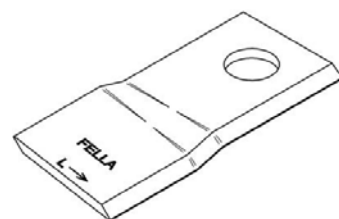
(Bolt system is standard equipment, quick change systems as optional equipment, see page 34)

If wear exceeds 4 mm turn bolt by 180° or replace it. If this is not done, bolt may break and blades of adjacent discs may touch. (see figure).

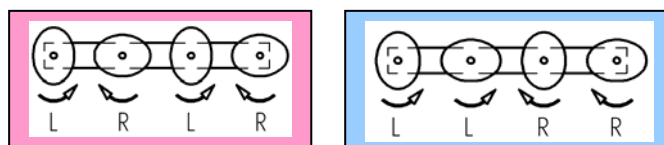


Make sure (especially when using an impact wrench!) that the square part of the bolt is perfectly located in the square hole of the mower disc

## Blade fitting, part 1



- all blades are cranked (thus, there are **right** and **left** blades)
- the blades are available with a length of **106 mm**, **112 mm** and **118 mm**
- the blade length depends on the mower type and the rotating direction of the mower disks: **paired running** or **central running**
- each mower type is delivered with a field-proven rotating direction defined by the manufacturer (green) – it is possible to refit some machines to an alternative rotating direction (yellow); sometimes, however, it is required to use another blade length (see the table for their order numbers)
- when mounting a **quick change system for the blades** (= special equipment, see page 34), you have to use the same blades as in the case of the bolted version (= standard)



mower-type	version	blades					
		paired running			central running		
		length [mm]	part no.		length [mm]	part no.	
		L	R		L	R	
SM 168		106	122329	122330			
SM 208							
SM 248							
SM 288							
SM 210	L	112	134309	134308	112	134309	134308
	U	112	134309	134308			
	KC						
	RC	112	134309	134308	112	134309	134308
SM 270	U	112	134309	134308			
	KC						
	RC	112	134309	134308	112	134309	134308
SM 320	U	112	134309	134308			
	KC	112	134309	134308	112	134309	134308
SM 350	U	112	134309	134308			

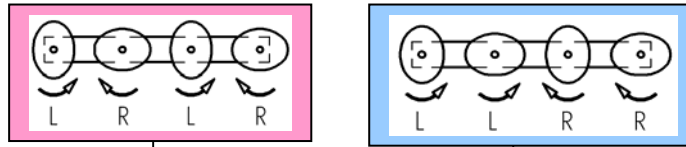
Standard

Can be used alternatively

Cannot be used

## Blade fitting, part 2

- see notes  
on page 32 "part 1"



mower type	version	blades					
		paired running			central running		
		length [mm]	part no.		length [mm]	part no.	
		L	R		L	R	
SM 260	FK				118	133075	133074
	FP						
	FP-S						
SM 310 FP		118	133075	133074	112	134309	134308
	SL						
	KC	118	133075	133074	112	134309	134308
SM 310 FZ	RC						
		118	133075	133074	112	134309	134308
	SL						
SM 310 TL	KC						
	RC						
	KCB						
SM 420 TL		118	133075	133074	112	134309	134308
SM 911 TL	KC						
	RC						
	KCB						
SM 313 Trans	KC	118	133075	133074	112	134309	134308
	RC						
SM 311 Trans	KC						
	RC						
SM 401 Trans	KC						
	RC	118	133075	133074	112	134309	134308
SM 900 Trans	KC						
	RC						
SM 1100 Trans	KC						
	RC						

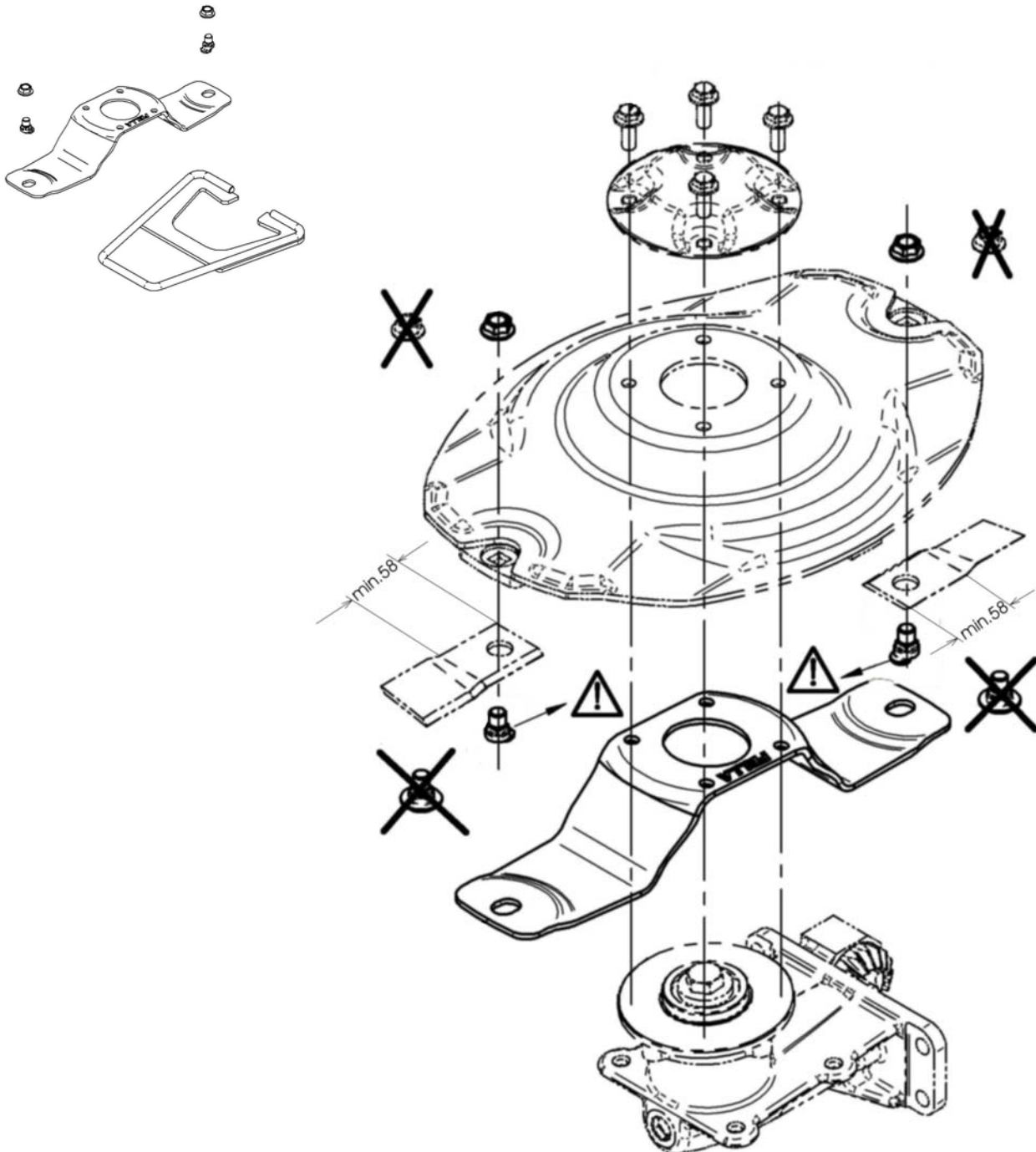
Standard

Can be used alternatively

Cannot be used

## Quick change blade system (optional equipment)

There is an optional quick change blade system available as alternative to standard bolted blades.



For information on mower type / blade fitting see pages 32/33, for further information on SW systems (ref. no. etc.) please see current price list and/or relevant operating instructions.